

**GENERAL CONSTRUCTION NOTES**

CONTRACTOR SHALL COMPLETE ALL WORK IN ACCORDANCE WITH LOCAL BUILDING CODES AND IN COMPLIANCE WITH THE MANUFACTURER'S REQUIREMENTS FOR THE WARRANTY TERM AND TYPE SPECIFIED.

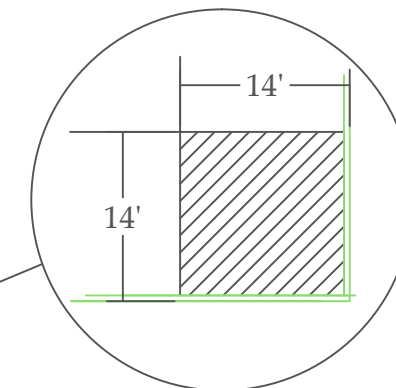
CONTRACTOR SHALL BE RESPONSIBLE FOR EXTENDING AND COMPLETING ALL GAS LINES, LINE SETS, DUCTWORK, AND ELECTRICAL CONNECTIONS NEEDED TO ACCOMMODATE NEW ROOF SYSTEM HEIGHT. ALL CONNECTIONS SHALL BE MADE BY A LICENSED PROFESSIONAL.

THE CONTRACTOR SHALL AVOID PENETRATING ALL UNDERDECK OBSTRUCTIONS INCLUDING ELECTRICAL CONDUITS, FIXTURES, SIGNS, SYSTEMS, GAS LINES, OR OTHER LINE SETS OR SYSTEMS, AND SHALL MAKE IMMEDIATE REPAIRS TO ANY SERVICES AFFECTED BY THE WORK.

ALL FLASHING HEIGHTS SHALL BE A MINIMUM OF 8" UNLESS PREEXISTING CONDITIONS ARE APPROVED BY THE CONSULTANT PRIOR TO WORK START.

COORDINATE ANY MECHANICAL, ELECTRICAL, OR OTHER SYSTEM SHUTDOWNS WITH THE OWNER 48 HOURS IN ADVANCE OF WORK.

PREVENT FUMES AND SMELLS FROM ENTERING AIR INTAKES AND BUILDING. COORDINATE SHUT DOWN AND COVER AIR INTAKE LOUVERS AND FANS WHEN WORK REQUIRES.



DEFINED PERIMETER/CORNER AREAS

**ROOF CONSTRUCTION NOTES**

- ① REMOVE AND REPLACE ALL BROKEN TILE
- ② REMOVE AND REPLACE METAL COPINGS AND COUNTERFLASHINGS
- ③ PROVIDE MANUFACTURER'S PIPE SEALS ON SUPPORT POSTS.
- ④ CORNERS AND PERIMETERS DEFINED AT 14' MINIMUM.



**ROOF CONSTRUCTION PLAN**  
SCALE: NTS

**LEGEND**

- ⊠ HVAC CURB
- ⊠ SCUTTLE
- ⊠ EXHAUST FAN
- ⊠ SKYLIGHT
- ⊠ CONDENSOR
- PIPE PENETRATION
- PITCH PAN
- = ROOF SCUPPER
- ⊕ ROOF DRAIN
- SLEEPER
- ⊠ SATELLITE DISH
- ⑨ NOTE
- ⊠ NIC NOT-IN-CONTRACT

PROJECT: DESERT VIEW CROSSING  
2001 BLUFFS ROAD  
PHOENIX, AZ 85256

DRAWN BY: R. HORRELL

DATE: JAN 5, 2012

REVISION: NA

**PROTECT, LLC**  
Roofing and Waterproofing Consultants  
4901 WEST 136TH STREET  
LEAWOOD, KS 66224  
(913) 261-9133  
RHORRELL@PROTECTLLC.COM

SHEET: **A1.2**